

—

ZTS T-series

ZTS T-series

Overview – TruONE platform (1/2)



Amperage (A)	30-200	260-400	600	800-1200
Application	Emergency & mission critical			
Voltage (V)	200-480			
Frequency (Hz)	50-60			
Transition	open, delayed			
Enclosure NEMA types	1, 3R, 4, 4X, 12			
Controller type	Lvl 4 – 3" x 2" color touchscreen display			
Standard options	IO packages, communications, heater, selector switch, transfer alarm, mechanical & compression lugs			
Standards compliance	cULus 1008			
Seismic compliance	OSHDP, IBC-2015, IEEE-693-2005			

ZTS T-series

Overview – TruONE platform (2/2)



Amperage (A)	30-200	260-400	600	800-1200
Platform	TruONE R2	TruONE R2/R3	TruONE R3	TruONE R4
Voltage capability	200-480V universal	200-480V universal	200-480V universal	200-480V universal
Poles	2, 3, 4	2, 3, 4	2, 3, 4	2, 3, 4
Phase systems	single and three	single and three	single and three	single and three
Max time-based WCR	18kA for 0.100s	35kA for 0.100s	42kA for 0.100s	65kA for 0.050s
Max STR	18kA for 0.300s	30kA for 0.300s	30kA for 0.300s	50kA for 0.500s
Max CB WCR (max CB size)	100kA (250A) 200kA (125A)	100kA (600A) 200kA (250A)	100kA (600A) 200kA ¹ (600A)	65kA (1600A) 100kA (1200A)
Max fuse WCR & type	100kA Class J 400A 200kA Class J 200A	100kA Class J 400A 200kA Class J 200A	100kA Class J 600A 200kA ¹ Class J & L 800A	100kA ¹ Class L 2000A 200kA ¹ Class L 1200A
Dimensions (in)	24 W x 12 D x 32 H	24 W x 14 D x 46 H ²	28 W x 19.5 D x 54 H	40 W x 19.5 D x 74 H

ZTS T-series





Overview – TruControl platform



Amperage (A)	400-1200 CT only	1600-3000
Application	Emergency & mission critical	
Voltage (V)	208-480V factory set	
Frequency (Hz)	50-60	
Transition	open, delayed, closed	
Enclosure NEMA types	1, 3R, 4, 4X, 12	
Controller type	Lvl 4 – 3” x 2” color touchscreen display	
Standard options	IO packages, communications, heater, selector switch, transfer alarm, mechanical & compression lugs	
Standards compliance	cULus 1008	
Seismic compliance¹	OSHDP, IBC-2015, IEEE-693-2005	

ZTS T-series

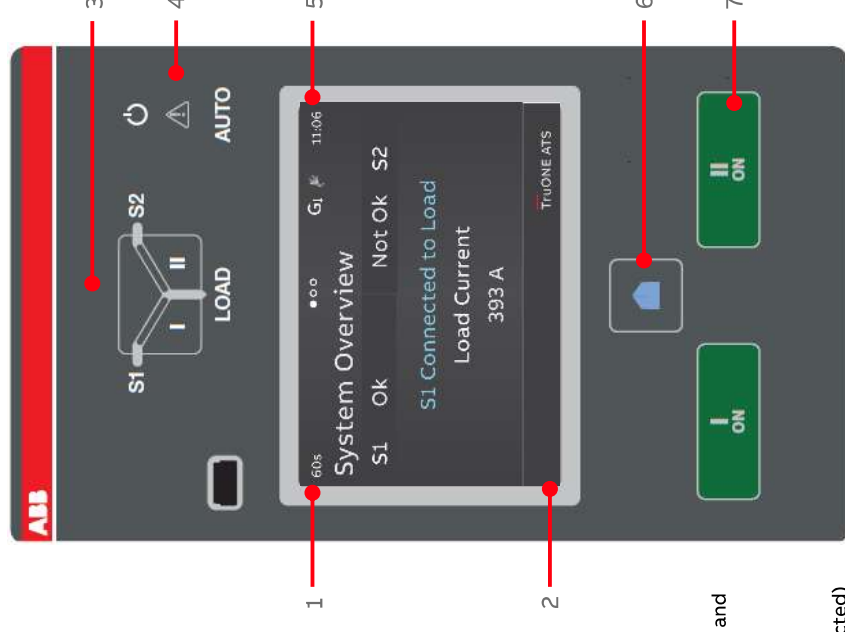
Overview – TruControl platform

 400-1200 CT only	 1600-3000	
 400-1200 CT only	 1600-3000	
Amperage (A)	63L	R5
Voltage capability	200-480V	200-480V (factory configured)
Poles	2, 3, 4	2, 3, 4
Max time-based WCR	50kA for 0.050s	100kA for 0.050s
Max STR	n/a	65kA for 0.500s
Phase systems	single and three	single and three
Max CB WCR (max CB size)	85kA (1600A)	100kA (any)
Max fuse WCR & type	200kA Class L 3000A	200kA Class L 2500A
Dimensions (in)	40 W x 19.5 D x 74 H	35.5 W x 48 D x 90 H

ZTS T-series

HMI – Level 4 interface

- 3" x 2" color touchscreen display + navigation keys & LED indicators
- Autoconfigure voltage system
- In-phase monitor
- Genset exerciser + real time clock
- Source priority selection
- Manual retransfer & permanent manual modes
- Commit transfer
- 70-120% setpoint range for high/low dropout & pickup voltage/frequency
- Widely adjustable failure, transfer, retransfer, center off, and gen cool down delays
- Touchscreen operation modes for: Auto/manual, bypass time delay, test, and more...
- Manual transfer keys
- Password protection of all operations, including keys

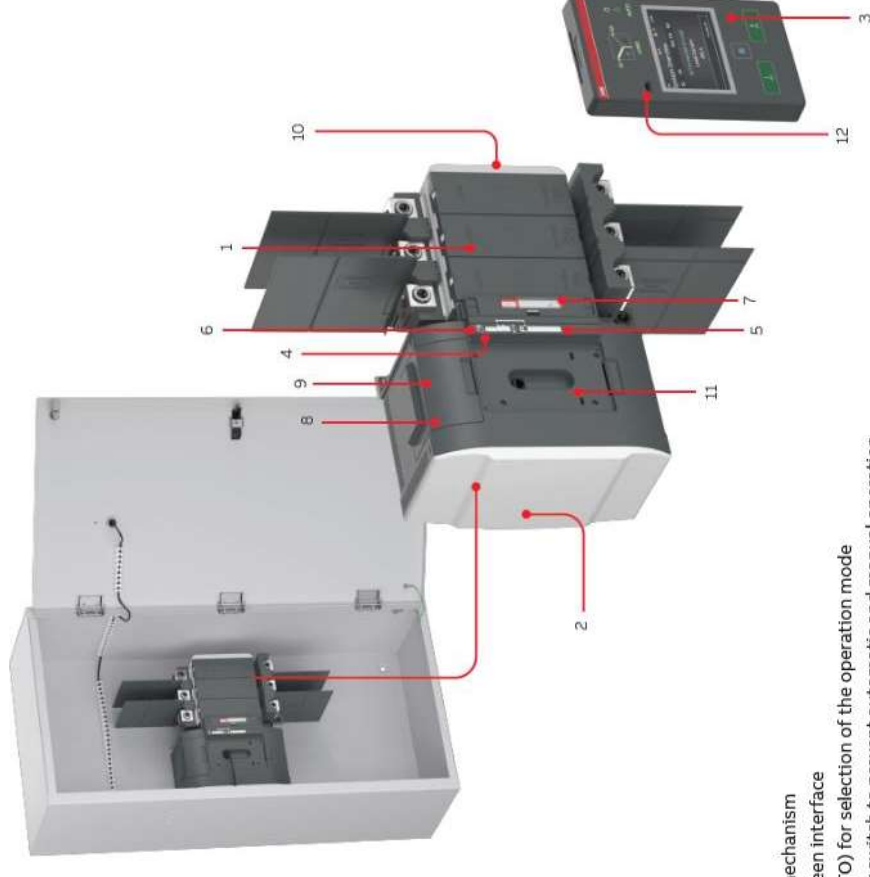


1. Current running time delay at top left
2. Alarms, warnings, and info (cycles) LED single line indicates source status and switch position
3. Power, AUTO, and alarm LEDs
4. Gen start & aux power status, clock
5. Root menu key
6. Manual transfer keys (password protected)
- 7.

ZTS T-series

Standard features

- **Current sensing** for current, power/energy, and harmonics measurement using embedded Rogowski coils
- **Advanced condition monitoring:** contact wear monitoring and temperature sensing
- 250 event log
- Offline programming (powered by laptop USB)
- Embedded IO up to 3 O and 2 I – varies by model
- amperage, expandable via packages or option selections
- 3 phase sensing with under/over voltage, invalid frequency, phase missing, voltage unbalance, and phase sequence detection
- USB connectivity to Ekip Connect to view ATS Status & events
- Mechanical position indication
- Mechanical screw terminal lugs (std up to 1200A)
- **Time-based WCR, STR**, and coordinated breaker/fuse WCR



1. Automatic transfer switch
2. Embedded ATS control unit and mechanism
3. HMI unit, type ZTS color touchscreen interface
4. Slide switch (Hand - Locking - AUTO) for selection of the operation mode
5. Padlocking the automatic transfer switch to prevent automatic and manual operation
6. Handle for manual operation
7. Position indication
8. Terminals for control circuit connections (behind the cover)
9. Place for connectivity modules (aux power supply, com and signaling)
10. Place for auxiliary contact block
11. Location of product identification label
12. Programming port, for Ekip Programming module and Ekip Connect software

ZTS T-series

Resources

Websites

- [Zenith T-series](#)
- [ZTS T-series](#)
- [Virtual HMI](#)

Videos

- [SOO part 1](#)
- [SOO part 2](#)
- [Manual & automatic operation](#)
- [Accessory installation](#)

Documentation

- [Brochure: 30-3000A](#)
- [Guide Spec](#)
- [WCR coordinated ratings](#)
- [Quick start manual: 30-1200A](#)
- [Quick start manual: 1600-3000A](#)
- [UL Certificate: 30-1200A](#)
- [UL Certificate: 1600-3000A](#)
- [O&M manual: 30-1200A](#)
- [O&M manual: 1600-3000A](#)
- [Register map](#)

Drawings/schematic



- [30-200A Type 1](#)
- [260-400A Type 1](#)
- [600A Type 1](#)
- [800-1200A Type 1](#)
- [30-200A Type 3R, 4, 12](#)
- [260-400A Type 3R, 4, 12](#)
- [600A Type 3R, 4, 12](#)
- [800-1200A Type 3R, 4, 12](#)
- [30-1200A Electrical schematic](#)
- [1600-3000A Type 1](#)
- [1600-3000A Type 3R, 4, 12](#)
- [1600-3000A Electrical schematic](#)



ZBTS T-series

ZBTS T-series

Overview

 100-1200	 1600-3000
Amperage (A)	
Application	
Emergency & mission critical bypass	
Voltage (V)	208-480V factory set
Frequency (Hz)	50-60
Transition	open, delayed, closed
Enclosure NEMA types	1, 3R, 4, 4X, 12
Controller type	Lvl 4 – 3” x 2” color touchscreen display
Standard options	IO packages, communications, heater, selector switch, transfer alarm, mechanical & compression lugs
Standards compliance	cULus 1008, CB/IEC
Seismic compliance¹	OSHDP, IBC-2015, IEEE-693-2005

1: Will not be available immediately at launch due to OSHDP backlog

ZBTS T-series

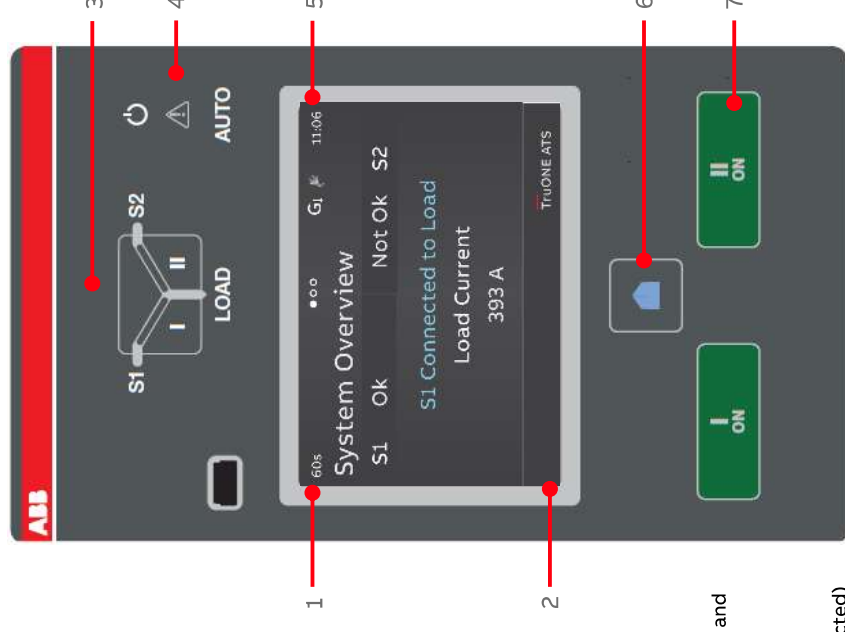
Overview

 	 	100-1200 R3B (100-600A), R4B (800-1200A) 200-480V	1600-3000 R5B 200-480V (factory configured)
Amperage (A)			
Platform			
Voltage capability			
Poles		2, 3, 4	3, 4
Max time-based WCR		65kA for 0.050s	100kA for 0.050s
Max STR		50kA for 0.500s	65kA for 0.500s
Phase systems		single and three	three
Max CB WCR (max CB size)		100kA	100kA (any)
Max fuse WCR & type		200kA Class L 1200A	100kA Class L 4000A
Dimensions (in)		36.1 W x 31.4 D x 82 H (600A) 36.1 W x 37.4 D x 92 H (1200A)	45.5 W x 66.3 D x 80 H

ZBTS T-series

HMI – Level 4 interface

- 3" x 2" color touchscreen display + navigation keys & LED indicators
- Autoconfigure voltage system
- In-phase monitor
- Genset exerciser + real time clock
- Source priority selection
- Manual retransfer & permanent manual modes
- Commit transfer
- 70-120% setpoint range for high/low dropout & pickup voltage/frequency
- Widely adjustable failure, transfer, retransfer, center off, and gen cool down delays
- Touchscreen operation modes for: Auto/manual, bypass time delay, test, and more...
- Manual transfer keys
- Password protection of all operations, including keys

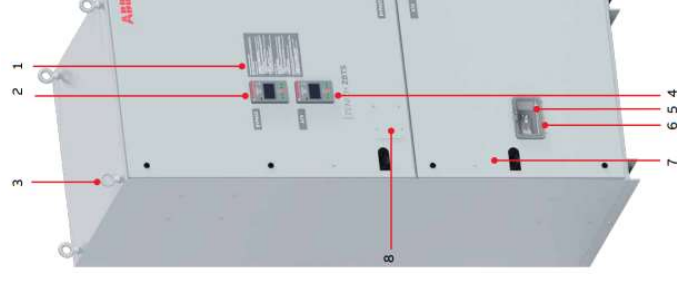


1. Current running time delay at top left
2. Alarms, warnings, and info (cycles) LED single line indicates source status and switch position
3. Power, AUTO, and alarm LEDs
4. Gen start & aux power status, clock
5. Root menu key
6. Manual transfer keys (password protected)
- 7.

ZBTS T-series

Standard features (100-1200A)

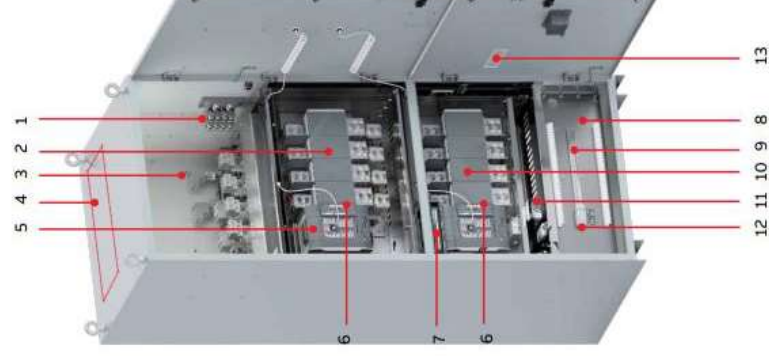
- **Current sensing** for current, power/energy, and harmonics measurement using embedded Rogowski coils
- **Advanced condition monitoring:** contact wear monitoring and temperature sensing
- **Standard Dual ATS**
- **Optional dual draw-out ATS**
- **Embedded safety door locks**
- 250 event log
- Offline programming (powered by laptop USB)
- IO packages and option (SPD, selector, alarms) selections
- 3 phase sensing with under/over voltage, invalid frequency, phase missing, voltage unbalance, and phase sequence detection
- USB connectivity to Ekip Connect to view ATS Status & events
- Mechanical position indication
- Mechanical screw terminal lugs (std up to 1200A)
- **Time-based WCR, STR**, and coordinated breaker/fuse WCR



- 1 Operation instruction HMI unit on the door, Level 4 (touch) for configuration and automatic operation, operation of the Bypass switch
- 2
- 3 Lifting eyes
- 4 HMI unit on the door, Level 4 (touch) for configuration and automatic operation, operation of ATS switch
- 5 Place for racking in/out tool
- 6 Racking in/out mechanism
- 7 Release of the door locking, for authorized persons only
- 8 Place for racking in/out mechanism, in case the Bypass switch is also draw-out version
- 9 Situation of programming port in both HMIs (Bypass and ATS switches), only for Ekip Programming-module



Fig. 2.4. Racking in/out mechanism



- 1 Ground Terminal
- 2 Fixed Bypass in the picture (alternative: Bypass is draw-out version), behind transparent cover
- 3 Customer connections: Source 1, Source 2 and Load, behind transparent cover
- 4 Conduit area for the cable entries, cable wiring directly to the connectors
- 5 I/O connections (in Fixed Bypass)
- 6 Manual control by switch own handle
- 7 I/O connections in Connection Module (for ATS)
- 8 Control Plate
- 9 Place for optional accessories
- 10 ATS, always the draw-out version
- 11 Racking in/out mechanism
- 12 Generator start/stop terminals
- 13 Product nameplate

ZBTS T-series

Standard features (100-1200A)

- **Current sensing** for current, power/energy, and harmonics measurement using embedded Rogowski coils
- **Advanced condition monitoring:** advanced switching statistics and temperature sensing
- 250 event log
- Offline programming (powered by laptop USB)
- IO packages and option (SPD, selector, alarms) selections
- 3 phase sensing with under/over voltage, invalid frequency, phase missing, voltage unbalance, and phase sequence detection
- USB connectivity to Ekip Connect to view ATS Status & events
- Mechanical position indication
- Mechanical screw terminal lugs (std up to 1200A)
- **Time-based WCR, STR**, and coordinated breaker/fuse WCR

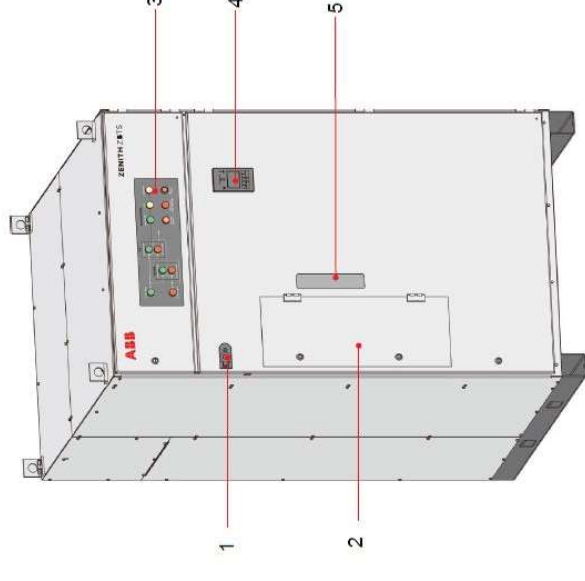


Fig. 2.1 Front exterior view - Bypass Isolation ATS, Zenth ZBTS T-series

- 1 Door latch and lock
- 2 Bypass operator access panel door
- 3 Bypass indication panel
- 4 HMI
- 5 ATS view window

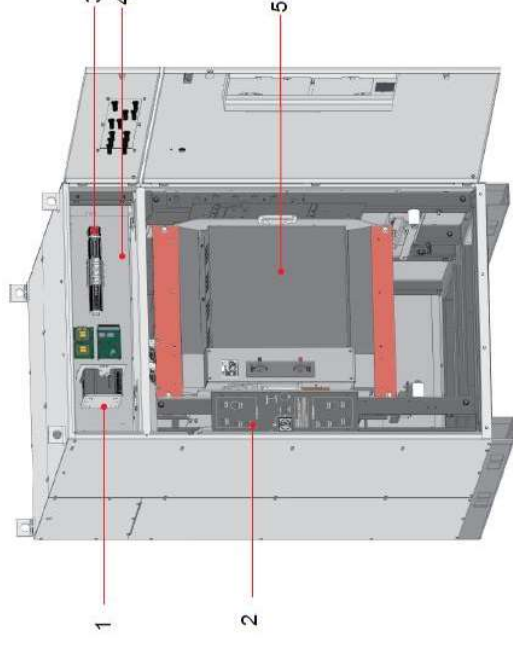


Fig. 2.2 Front exterior view with door open - Bypass Isolation ATS, Zenth ZBTS T-series

- 1 TruCONTROL ATS controller
- 2 Bypass operator panel
- 3 Engine start contact and ATS auxiliary position contacts
- 4 Electrical controls compartment
- 5 ATS

ZBTS T-series

Resources

Websites

[Zenith T-series](#)
[ZBTS T-series](#)
[Virtual HMI](#)

Videos

[SOO part 1](#)
[SOO part 2](#)
[Manual & automatic operation](#)
[Accessory installation](#)

Documentation

[Brochure: 100-3000A](#)
[Guide Spec](#)
[WCR coordinated ratings](#)
[UL Certificate: 30-1200A](#)
[UL Certificate: 1600-3000A](#)
(Finalized, waiting on final version in coming days)
[CB Certificate: 100-1200A](#)
[CB Certificate: 1600-3000A](#)
[O&M manual: 30-1200A](#)
[O&M manual: 1600-3000A](#)
[Register map](#)

Drawings/schematic

[600A Type 1](#)
(Expected in June)
[600A Type 3R, 4, 12, 4X](#)
(Expected in June)
[1200A Type 1](#)
[1200A Type 3R, 4, 12, 4X](#)
[1600-3000A Type 1](#)
[1600-3000A Type 3R, 4, 12, 4X](#)
[100-1200A Electrical Schematic](#)
[100-1200A Dual Drawout Electrical Schematic](#)
[1600-3000A Electrical Schematic](#)